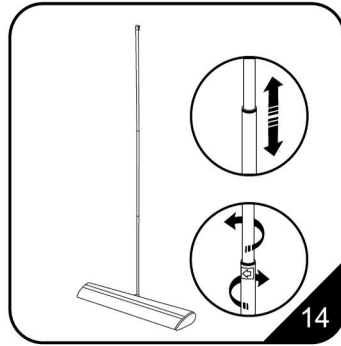
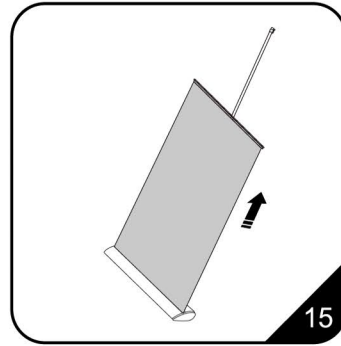


13. Insert the assembled pole into the base hole.



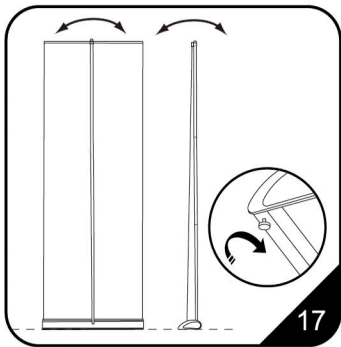
14. Draw out the upper of the telescopic pole to adjust the height to suitable level 160cm~220cm, then circumscribe to firm it.



15. Pull the graphic completely.

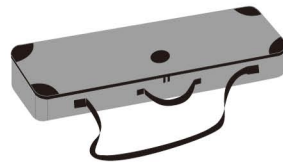


16. The plastic holder at the top of pole slips into the rear slot of the banner beam. A marker on the beam indicates the beam's centre where the pole should be inserted.

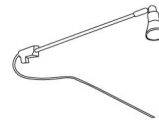


17. The unit can be leveled by adjusting the threaded plastic feet at the bottom of the base unit.

Optional accessories

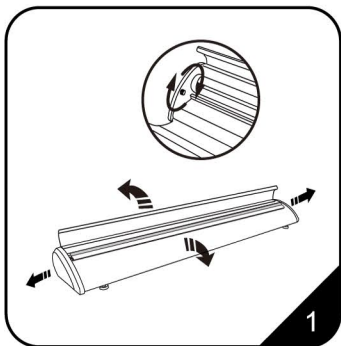


This carry case is able to store all models.

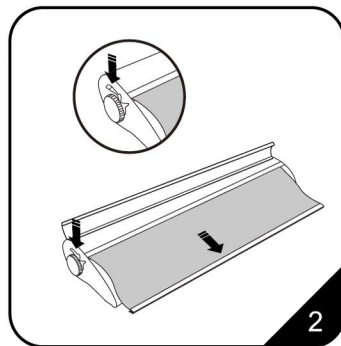


Voltage: 110V/220V
CE certified.
Fit on all models.
Color: Black / Silver

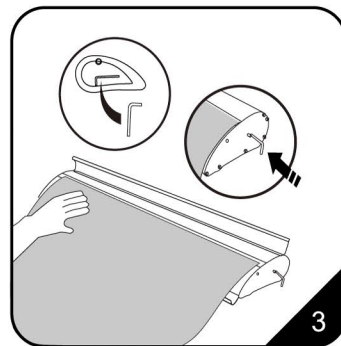
The follow steps account for altering graphic.



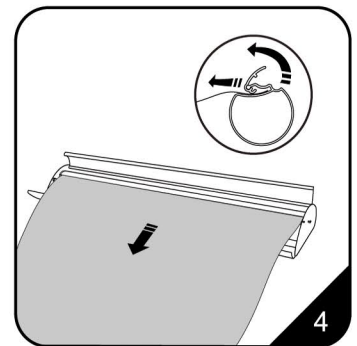
1. Open the chrome cover.



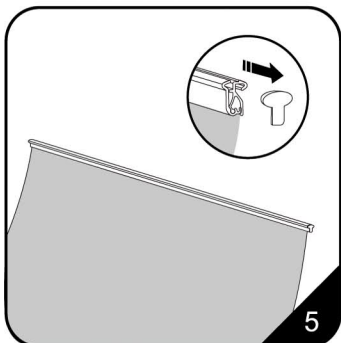
2. Press the the device of adjusting tension to release it and fully draw out the graphic from the base .



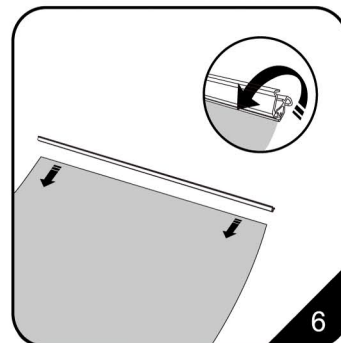
3. Pull the retaining pin out from the cover, then carefully put it into the hole where the retaining pin was pulled out. (It may be useful to have an assistant)



4. open the roller's lid, then pull the bottom edge of the graphic out the lid.



5. Remove the plastic end caps from the upper beam.

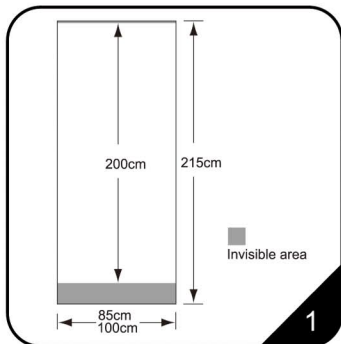


6. Swing open the beam's locking lip in order to relax the top edge of the graphic.

Then repeat the setting up 5 to 17

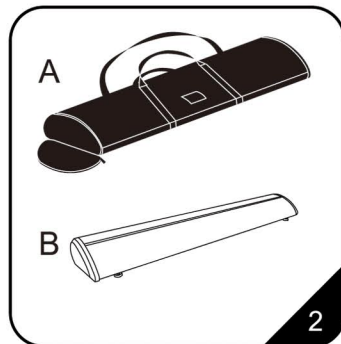
INSTALLATION STEPS

Modern appearance, high quality, practical, flexible for multiple uses.
Carry cases and spotlights are available as accessories. Fast and easy to alter graphics.

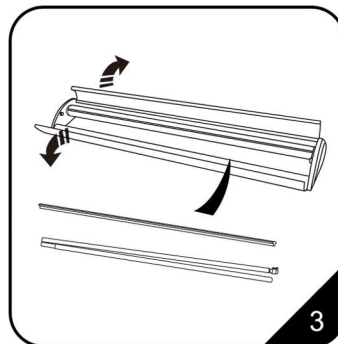


1. The overall width of stand is 85cm or 100cm, height is 215cm, the visible graphic height is 200cm.

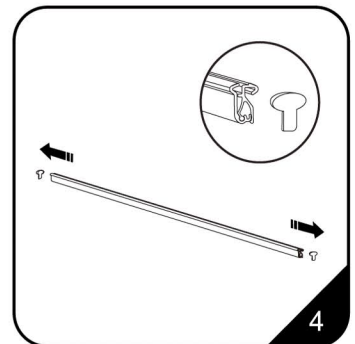
⚠ Our size in the manual is just a reference. Please make the graphic according to your actual purchased size.



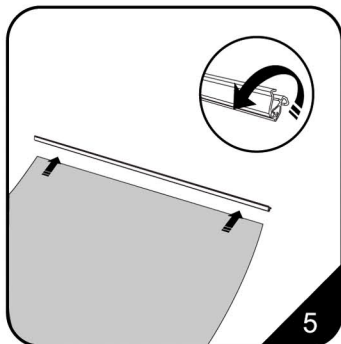
2. The case should contain:
Installation instruction
A. black bag B. frame whole



3. Open base unit's cover, pick out the telescopic pole and snap bar.

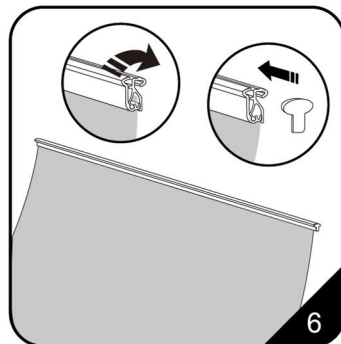


4. Remove the plastic end caps from the upper beam.

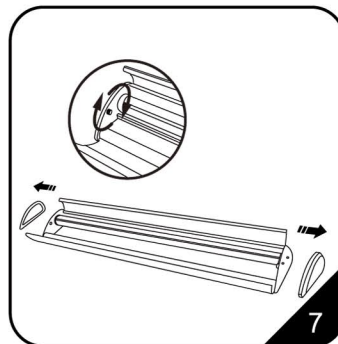


5. Open the snap bar then insert the top edge of the graphic.

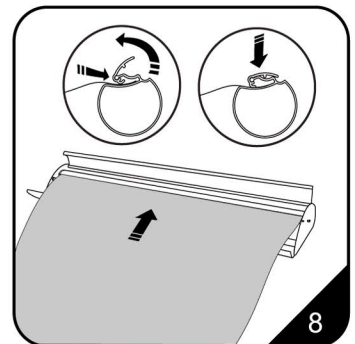
⚠ The graphic thickness should be 0.2mm - 0.4mm. Double layers for thin material.



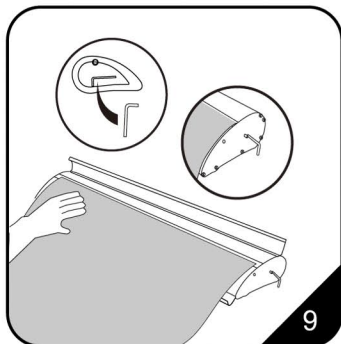
6. Close the snap bar lips to secure the graphic. Finish the top by re-attaching the plastic end caps.



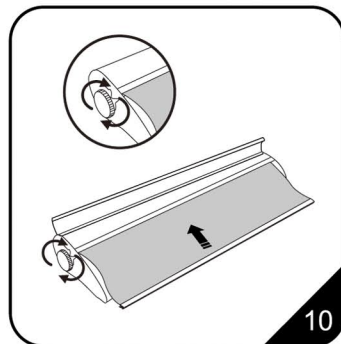
7. Release cover screw, then open the base unit cover.



8. Open the roller's lid, slide the bottom edge of the graphic under the lid. Close the roller's lip to secure the graphic.

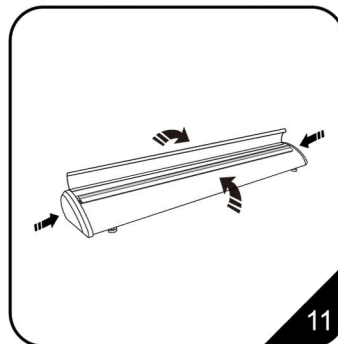


9. Activate the spring tension by removing the Allen Key. Pull the Allen Key while holding on to the attached graphic. Save the key in the side cover.

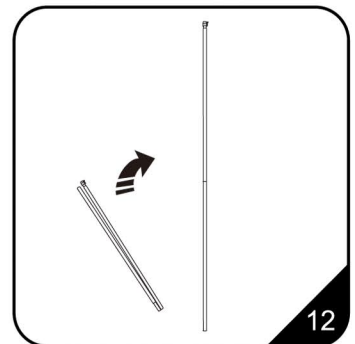


10. Carefully circumgrate the tension circle, make the graphic go into the base unit.

⚠ If graphic released, this device can adjust the tension.



11. Close the base unit cover and side cover.



12. The hooked end corresponds to the top and the round end belongs to the bottom base.

NEXT PAGE



**CAUTION:
PLEASE READ THE INSTRUCTIONS BEFORE INSTALLING PRODUCTS**